

PLEASE CHECK WWW.MOLEX.COM FOR LATEST PART INFORMATION

Part Number: [0712435001](#)
Status: **Active**
Description: 1.27mm (.050") Pitch DDR DIMM Socket, Single Key, Vertical, Plastic Peg, 184 Circuits

Documents:

[3D Model](#) [Product Specification PS-71243-9999 \(PDF\)](#)
[Drawing \(PDF\)](#) [RoHS Certificate of Compliance \(PDF\)](#)
[Packaging Specification \(PDF\)](#)

General

Product Family	Memory Module Sockets
Series	71243
Comments	With Short Latches
Component Type	Memory Module
JEDEC Outline	N/A
Product Name	DIMM

Physical

Circuits (Loaded)	184
Circuits (maximum)	184
Color - Resin	Black, Natural
Durability (mating cycles max)	25
Entry Angle	Vertical
Function Key	None
Keying to Mating Part	Yes
Material - Metal	Phosphor Bronze, Stainless Steel
Material - Plating Mating	Gold
Material - Plating Termination	Nickel
Material - Resin	High Temperature Thermoplastic
PC Tail Length (in)	0.127 In
PC Tail Length (mm)	3.23 mm
PCB Locator	Yes
PCB Retention	Yes
PCB Thickness Recommended (in)	0.062 In
PCB Thickness Recommended (mm)	1.57 mm
Packaging Type	Tray
Pitch - Mating Interface (in)	0.050 In
Pitch - Mating Interface (mm)	1.27 mm
Pitch - Term. Interface (in)	0.050 In
Pitch - Term. Interface (mm)	1.27 mm
Temperature Range - Operating	-40°C to +85°C
Termination Interface: Style	Through Hole

Electrical

Current - Maximum per Contact	1A
Voltage - Maximum	100V AC (RMS)/DC
Voltage Key	Left

Material Info

Reference - Drawing Numbers

Product Specification	PS-71243-9999
Sales Drawing	SD-71243-500

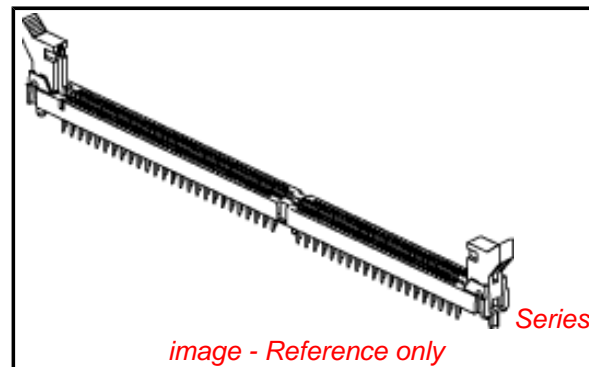


image - Reference only

EU RoHS

**ELV and RoHS
Compliant**
REACH SVHC
 Not Reviewed
**Halogen-Free
Status**

China RoHS



**Need more information on product
environmental compliance?**

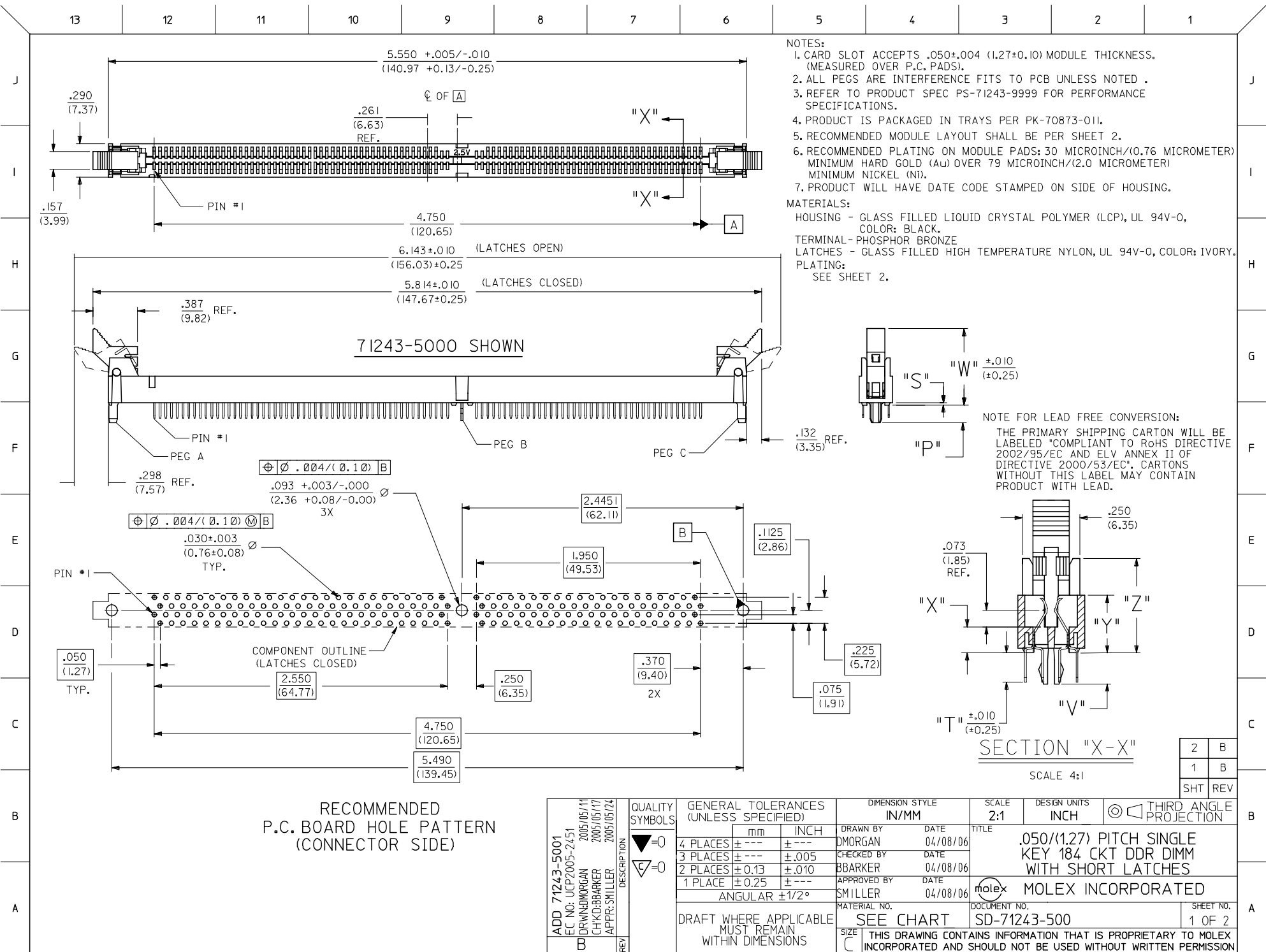
Email productcompliance@molex.com
 For a multiple part number RoHS Certificate of
 Compliance, [click here](#)

Please visit the [Contact Us](#) section for any
 non-product compliance questions.

Search Parts in this Series

71243Series

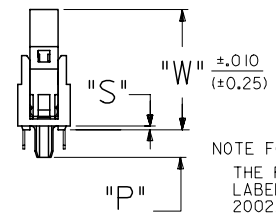
PLEASE CHECK WWW.MOLEX.COM FOR LATEST PART INFORMATION



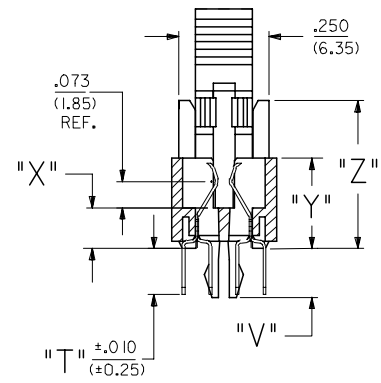
- NOTES:
- CARD SLOT ACCEPTS $.050 \pm .004$ (1.27 ± 0.10) MODULE THICKNESS. (MEASURED OVER P.C. PADS).
 - ALL PEGS ARE INTERFERENCE FITS TO PCB UNLESS NOTED.
 - REFER TO PRODUCT SPEC PS-71243-9999 FOR PERFORMANCE SPECIFICATIONS.
 - PRODUCT IS PACKAGED IN TRAYS PER PK-70873-011.
 - RECOMMENDED MODULE LAYOUT SHALL BE PER SHEET 2.
 - RECOMMENDED PLATING ON MODULE PADS: 30 MICROINCH/(0.76 MICROMETER) MINIMUM HARD GOLD (Au) OVER 79 MICROINCH/(2.0 MICROMETER) MINIMUM NICKEL (Ni).
 - PRODUCT WILL HAVE DATE CODE STAMPED ON SIDE OF HOUSING.

MATERIALS:

- HOUSING - GLASS FILLED LIQUID CRYSTAL POLYMER (LCP), UL 94V-0, COLOR: BLACK.
- TERMINAL - PHOSPHOR BRONZE
- LATCHES - GLASS FILLED HIGH TEMPERATURE NYLON, UL 94V-0, COLOR: IVORY.
- PLATING: SEE SHEET 2.



NOTE FOR LEAD FREE CONVERSION:
THE PRIMARY SHIPPING CARTON WILL BE LABELED "COMPLIANT TO ROHS DIRECTIVE 2002/95/EC AND ELV ANNEX II OF DIRECTIVE 2000/53/EC". CARTONS WITHOUT THIS LABEL MAY CONTAIN PRODUCT WITH LEAD.



SECTION "X-X"

SCALE 4:1

2	B
1	B
SHT	REV

RECOMMENDED
P.C. BOARD HOLE PATTERN
(CONNECTOR SIDE)

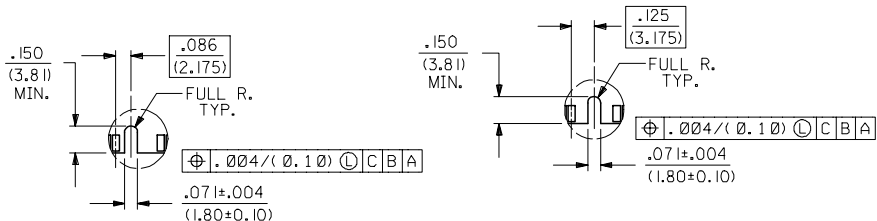
ADD 71243-5001 EC NO: UCP2005-2451 DRAWN BY: DMORGAN 2005/05/11 CHKD BY: BBARKER 2005/05/17 APPR: SMILLER 2005/05/24	QUALITY SYMBOLS ▽=0 ▽=0
--	-------------------------------

GENERAL TOLERANCES (UNLESS SPECIFIED)	
mm	INCH
4 PLACES ± ---	± .005
3 PLACES ± ---	± .010
2 PLACES ± 0.13	± .010
1 PLACE ± 0.25	± .010
ANGULAR ± 1/2°	

DIMENSION STYLE	
IN/MM	
DRAWN BY: DMORGAN	DATE: 04/08/06
CHECKED BY: BBARKER	DATE: 04/08/06
APPROVED BY: SMILLER	DATE: 04/08/06
MATERIAL NO.	DOCUMENT NO.
SEE CHART	SD-71243-500

SCALE 2:1	DESIGN UNITS INCH	THIRD ANGLE PROJECTION
TITLE: .050/(1.27) PITCH SINGLE KEY 184 CKT DDR DIMM WITH SHORT LATCHES		
MOLEX INCORPORATED		
MATERIAL NO.	DOCUMENT NO.	SHEET NO.
SEE CHART	SD-71243-500	1 OF 2
THIS DRAWING CONTAINS INFORMATION THAT IS PROPRIETARY TO MOLEX INCORPORATED AND SHOULD NOT BE USED WITHOUT WRITTEN PERMISSION		

PART NUMBER	DESCRIPTION	VOLTAGE KEY	PEG A	PEG B	PEG C	DIM. "P"	DIM. "S"	DIM. "T"	DIM. "V"	DIM. "W"	DIM. "X"	DIM. "Y"	DIM. "Z"	TERMINAL TYPE	NOTES:
71243-5000	2.5 VOLT VDDQ	OFFSET LEFT	PLASTIC PEG	METAL FORKLOCK	PLASTIC PEG	.155 (3.94)	.020 (0.51)	.127 (3.23)	.135 (3.43)	.664 (16.87)	.113 (2.87)	.250 (6.35)	.410 (10.41)	NOT LUBRICATED	1. STRAIGHTNESS OF MODULE APPLIES TO THE AREA FROM THE BOTTOM OF THE CARD UP .157/(4.00). 2. IF TIE BARS ARE ATTACHED TO PADS, THE TIE BAR SHOULD BE ON AN INTERNAL LAYER, SO THAT THE REMNANT CANNOT CAUSE DAMAGE TO THE CONTACTS.
71243-5001	2.5 VOLT VDDQ	OFFSET LEFT	PLASTIC PEG	METAL FORKLOCK	PLASTIC PEG	.155 (3.94)	.020 (0.51)	.127 (3.23)	.135 (3.43)	.664 (16.87)	.113 (2.87)	.250 (6.35)	.410 (10.41)	LUBRICATED	



OFFSET LEFT KEY

CENTERED KEY

PLATING:

CONTACT AREA:

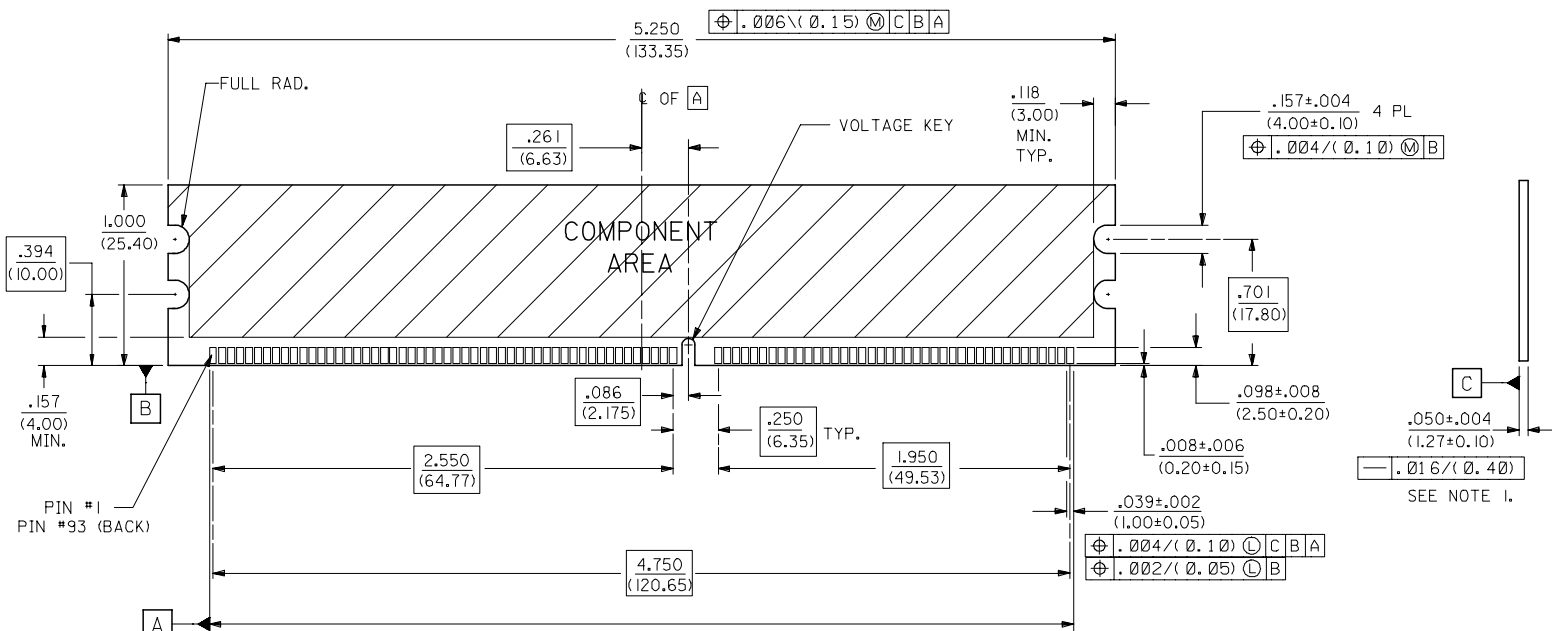
GOLD (Au) FLASH: THICKNESS=2-10 MICROINCH/(0.05-0.25 MICRO METER), OVER PALLADIUM-NICKEL (Pd-Ni): THICKNESS=30 MICROINCH/(0.76 MICROMETER) MINIMUM.

SOLDER TAILS:

TIN (Sn): THICKNESS=150 MICROINCH/(3.81 MICROMETER) MINIMUM.

UNDERPLATE:

NICKEL (Ni) OVER ENTIRE TERMINAL.



RECOMMENDED MODULE LAYOUT
184 CKT 2.5V SHOWN

ADD 71243-5001 EC NO: UCP2005-2451 DRAWN BY: DMORGAN 2005/05/11 CHK'D BY: BBARKER 2005/05/17 APPR: SMILLER 2005/05/24 REV DESCRIPTION	QUALITY SYMBOLS	GENERAL TOLERANCES (UNLESS SPECIFIED)	DIMENSION STYLE IN/MM	SCALE 2:1	DESIGN UNITS INCH	THIRD ANGLE PROJECTION
		4 PLACES ± .005 ± .005 3 PLACES ± .005 ± .005 2 PLACES ± .010 ± .010 1 PLACE ± .025 ± .025 ANGULAR ± 1/2°	DRAWN BY: DMORGAN DATE: 04/08/06 CHECKED BY: BBARKER DATE: 04/08/06 APPROVED BY: SMILLER DATE: 04/08/06	TITLE	.050/(1.27) PITCH SINGLE KEY 184 CKT DDR DIMM WITH SHORT LATCHES	
	DRAFT WHERE APPLICABLE MUST REMAIN WITHIN DIMENSIONS	SEE CHART	MATERIAL NO.	DOCUMENT NO.	SHEET NO.	
			THIS DRAWING CONTAINS INFORMATION THAT IS PROPRIETARY TO MOLEX INCORPORATED AND SHOULD NOT BE USED WITHOUT WRITTEN PERMISSION			